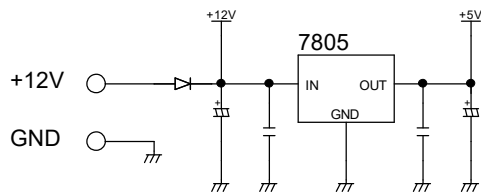
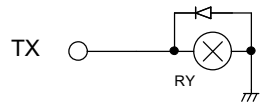
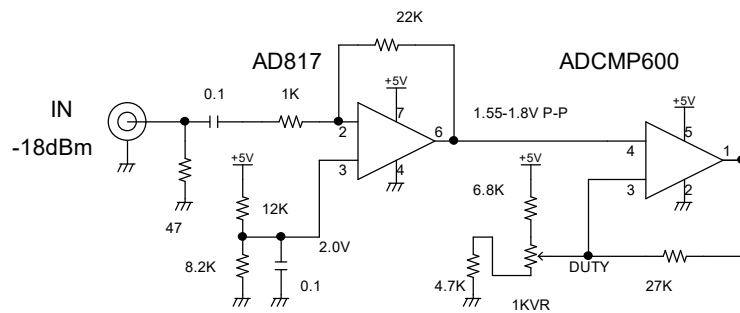


136KHz	VD-OUT	475KHz	VD-OUT
10.8V	OUT:20.2W 81%	10.8V	OUT:20.2W 84%
12.0V	OUT:25.0W	12.0V	OUT:25.2W
14.0V	OUT:33.5W	14.0V	OUT:33.7W
16.0V	OUT:43.5W	16.0V	OUT:44.0W
18.0V	OUT:59.0W	18.0V	OUT:59.0W
20.0V	OUT:71.1W	20.0V	OUT:71.1W



	C1	L2	C	L	RFC	T1
136 KHz	0.1uF (0.033x3) WIMA FKP1	T68-2 (Stack two cores) 0.8 φ 21T	T130-2 <small>fc=119K</small> 0.6 φ 78T 0.0267uF (0.022uF+4.7nF)		FT82-43	BN43-7051 AL=10000
475 KHz	0.0298uF (0.022+6.8n+1n) WIMA FKP1	T68-2 (Stack two cores) 0.8 φ 11T	T106-2 <small>fc=410K</small> 0.8 φ 38T 7800pF (6.8nF+1000pF)		1.0 φ 12T	1T-CT-1T OUT: 7T

TITLE		DRAWING_No.	
136KHz,475KHz POWER AMP			
SHEET	DATE	DESIGN	
/	SEP2.2020		